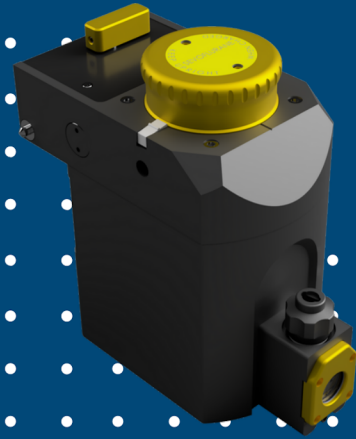


RESPIRAIR



Innovation. Quality. Sustainability.



The Best FIT

No other vaporizer is as flexible.

Any Machine

The Respirair JupiterR7 vaporiser is, through its North American Draeger mount, uniquely able to fit to ANY anaesthesia machine.

Environmentally Conscious

- Interlock Safety
- Low carbon footprint manufacturing
- Blue-Zone Waste Anesthetic Gas recovery systems in place, eliminating up to 100% of Greenhouse Gas.



Blue-Zone Technologies
SUSTAINABLE ANESTHESIA RECOVERY™

RESPIRAIR

Innovation. Quality. Sustainability.

Product

- Compact wick system
- One-piece sump
- 450ml capacity
- Lightweight 8.5kg
- 185mm x 140mm x 135mm
- (7.3" x 5.5" x 5.3")
- Knob dial
- Filler and Level Indicator

Price

\$1850 per unit

Warranty

6 Year Warranty*

Servicing

Every 3 years, with a FREE swap out service for the first 6 years (saving you a minimum of \$700 USD)

Support

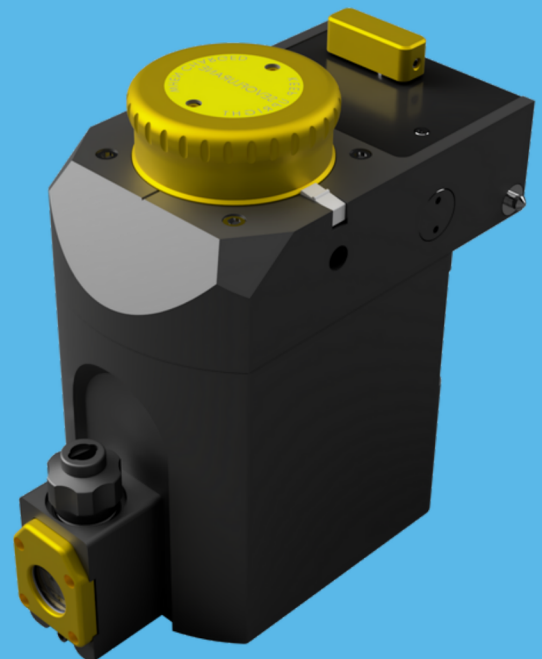
24/7 Support Line
USA Service Centre
ready to support you
with any on-the-ground needs.

Safety

- Interlock mounting system
- Colour coded for drug safety
- FDA certified
- Filler options: Quick Fill, Pour Fill & Key Fill

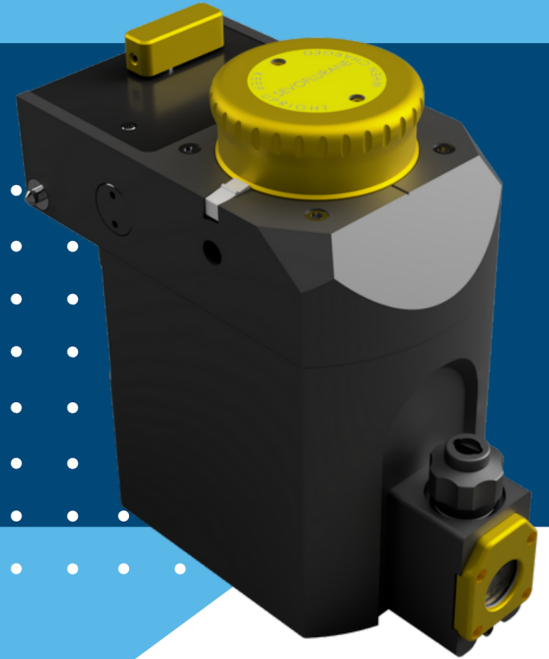
Longevity

The JupiterR7 is built to last. Using materials that do not degrade and with a 6 Year warranty* you are covered for any eventuality.





Why JupiterR7?



Why Choose Us?

Respirair was born out of the desire to offer the best quality equipment to the anaesthesia market, while remaining innovative and dedicated to creating sustainable and planet-friendly products.



**Dr. Frank Swinton,
NHS Consultant**



"I was very impressed with the vaporiser I saw. I really like how simple it is to use, how [it] uses components that have a proven track record in patient use, how versatile and robust it is".

→ **Dedicated Support**

Respirair staff are here to support YOUR business as well as your END users in their hospital setting.

→ **24/7 Customer Care**

Our dedicated 24/7 USA based customer care agents are available to take your call whenever needed.

→ **Ideal Size**

Your business is important to us. We are large enough to support you, but small enough to care.



Warranty

Such warranties are extended only with respect to the purchase of this product direct from Respirair Animal Healthcare Limited or an approved and authorized Respirair dealer distributor as new merchandise and are extended to the first buyer thereof, other than for the purpose of resale. For a period of six (6) years from the date of registration by the end user, this product is warranted against functional defects in materials and workmanship and to conform to the description of the product contained in the Operation and Maintenance Manual and accompanying labels and inserts, provided that the same is operated under conditions of normal use, that regular periodic maintenance is performed and that replacements and repairs are made in accordance with the instructions provided and the warranty label has not been removed from the product. This same warranty is made for a period of thirty (30) days with respect to expendable parts.

The foregoing warranties shall not apply if the product has been repaired or serviced other than by Respirair authorized service facilities, or other than in accordance with the written instructions provided by Respirair or altered by anyone other than Respirair or Respirair authorised service facilities, or if the product has been subject to abuse, misuse, negligence or accident.

Respirair's sole and exclusive obligation and the user's sole and exclusive remedy under the above warranties are limited to repairing or replacing, free of charge, at Respirair's option, a product which is confirmed as being defective by Respirair following the buyer's notification to Respirair in accordance with the instructions contained in the Servicing Section of the Operation and Maintenance Manual, not later than seven (7) days after the expiration date of the applicable warranty. Respirair shall not be otherwise liable for any damages including but not limited to incidental damages, consequential damages or special damages. There is no express or implied warranties, which extend beyond the warranties herein above, set forth. Respirair makes no warranty of merchantability or fitness for a particular purpose with respect to the product or parts thereof. When communicating with Respirair, please quote the model and serial number of the vaporiser. If the unit is being returned for repair, indicate the nature of the fault or the work required to be undertaken if known. Respirair support team can be contacted through our dedicated support line **+44 (0) 2038857126** or **support@respirairglobal.com**.

This warranty must be activated within (14) days of receipt of product. An extended Gold Accidental Cover policy can be purchased during activation stages and this will be at an additional cost. You can enquire about this product through our support@respirairglobal.com or sales@respirairglobal.com email. A charge may be made if: goods are returned where no warranty has been registered, it has been received outside the relevant period, or the product is returned to us with no fault found or if the fault relates to misuse or negligence. No responsibility can be accepted for any damage caused in transit. It is your responsibility to ensure the goods are suitably packaged to travel via courier services back to us. We will arrange collection and subsequent return at our cost provided the vaporiser is correctly covered at the time under the terms and conditions of guarantee.

Servicing

The R7 style vaporiser must only be serviced by qualified service personnel. The contents of this manual are not binding. If any significant difference is found between the product and this manual please contact Respirair for further information. To ensure that the vaporiser functions correctly, it must be serviced/calibrated at regular intervals at a Respirair approved Service Centre. Respirair stipulates that the vaporiser should be serviced at intervals not exceeding three (3) years and calibrated at intervals not exceeding 12 months from registration of warranty. This is a criterion of the warranty.